

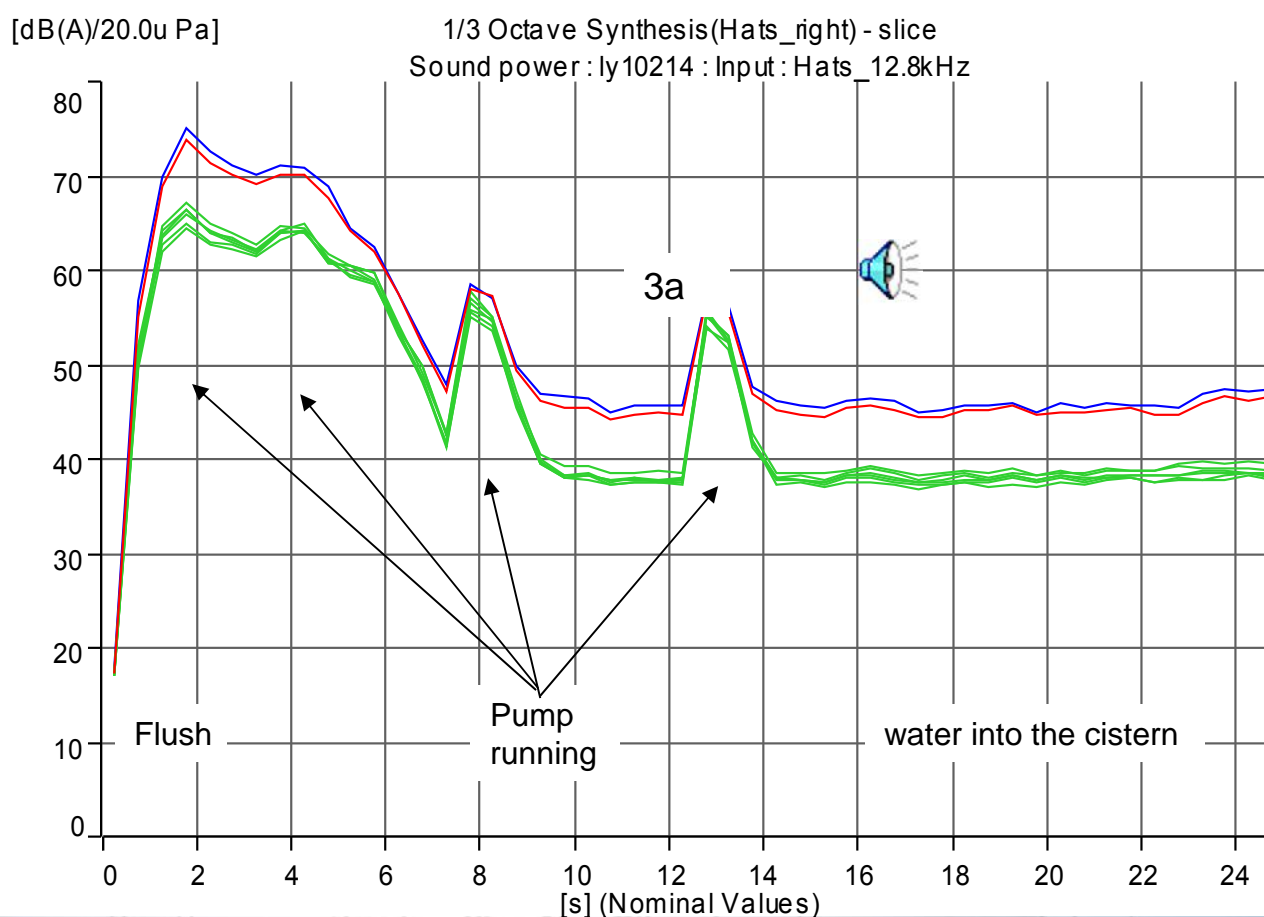
Grundfos new range of domestic lifting stations

- the Sololift+ range

BE > THINK > INNOVATE >

GRUNDFOS 

Sound picture of a WC flush & a Sololift+ WC-3 pump



Name terminology

Sololift+ is the umbrella name

- Sololift+ WC
- Sololift+ WC-1
- Sololift+ WC-3
- Sololift+ CWC-3
- Sololift+ C-3
- Sololift+ D-3
- Sololift+ PWC-3



- WC is used in the name when it can be connected to a toilet – with integrated cutter
- C = Compact
- D = for Douche (i.e. shower)
- P = Professional (OEM sales)
- 1 = 1 additional inlet
- 3 = 3 additional inlets.

Concept of Sololift+:

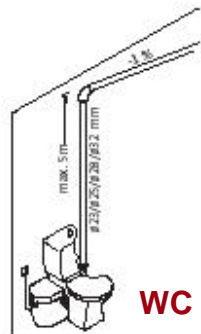
- The Sololift+ lifting stations are designed for the pumping of wastewater, where the waste cannot flow by gravity fall directly to the main sewer
- They are the solution if you want to “add on” a new facility below or far away from the main soil stack
- All Sololift+ models are compact automatic lifting stations usable for discharge of wastewater through small bore pipe work

Concept of Sololift+ WC-3



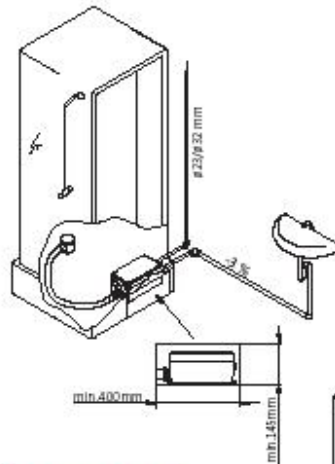
Concept of Sololift+ WC-3





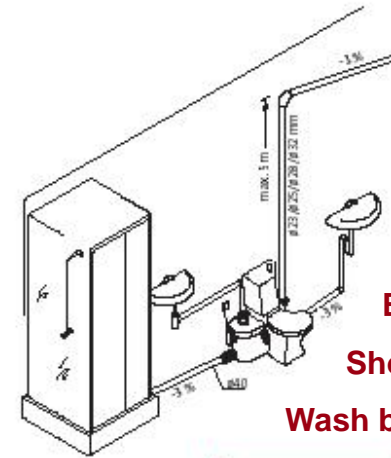
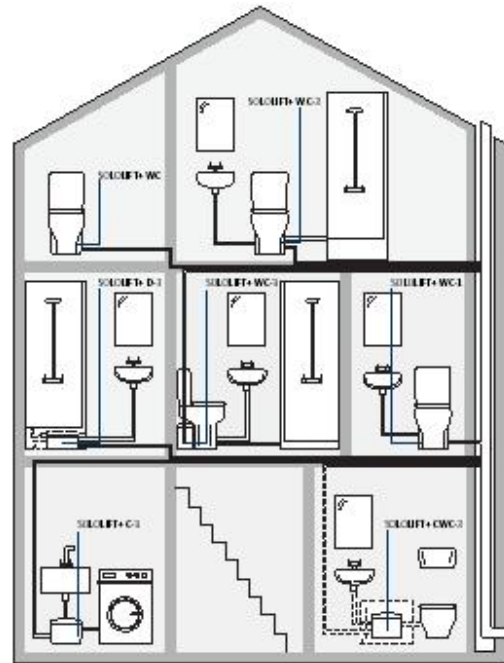
WC

Sololift+ WC



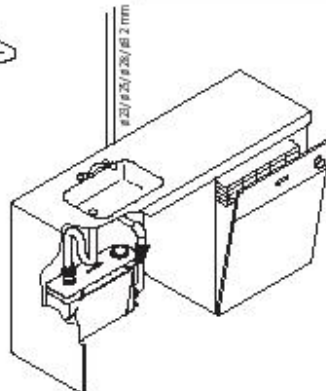
Sololift+ D-3

Shower or Wash basin (or bidet)



**WC
Bidet
Shower
Wash basin**

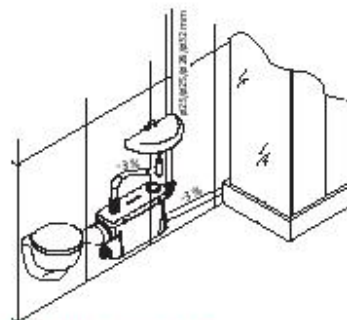
Sololift+ WC-3



Sololift+ C-3

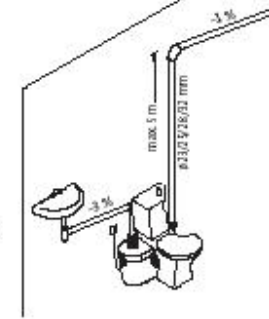
Wash basin (or Sink), Shower (or bath tub),

Washing machine (or dish washer)



Sololift+ CWC-3

Wall hung WC, Bidet, Shower, Wash basin



Sololift+ WC-1

WC, Wash basin

Pumped Liquids with Sololift+

Suitable for:

- Wastewater from cabinet shower, washbasin and sewage form toilet (only WC version)
- pH value = 4-10
- Max liquid temp. 40 °C (except. C-3 = 70 °C 2 min.)

~~NOT Suitable for:~~

- ~~▪ Strong chemicals or Solvents~~
- ~~▪ Objects – plastic, cardboard, towels, diapers, tampons etc.~~



Sticker
included in
the box

1. Best design on the market

- The lifting station is visible in a bath room. Grundfos has made an effort to make an elegant design.
- The lifting station on the market who thinks mostly on end-user benefit
 - NO ugly logo in black & round smooth edges
- Small and compact to fit everywhere
- Nice surface – easy to clean
- Grundfos lifting stations is discreet



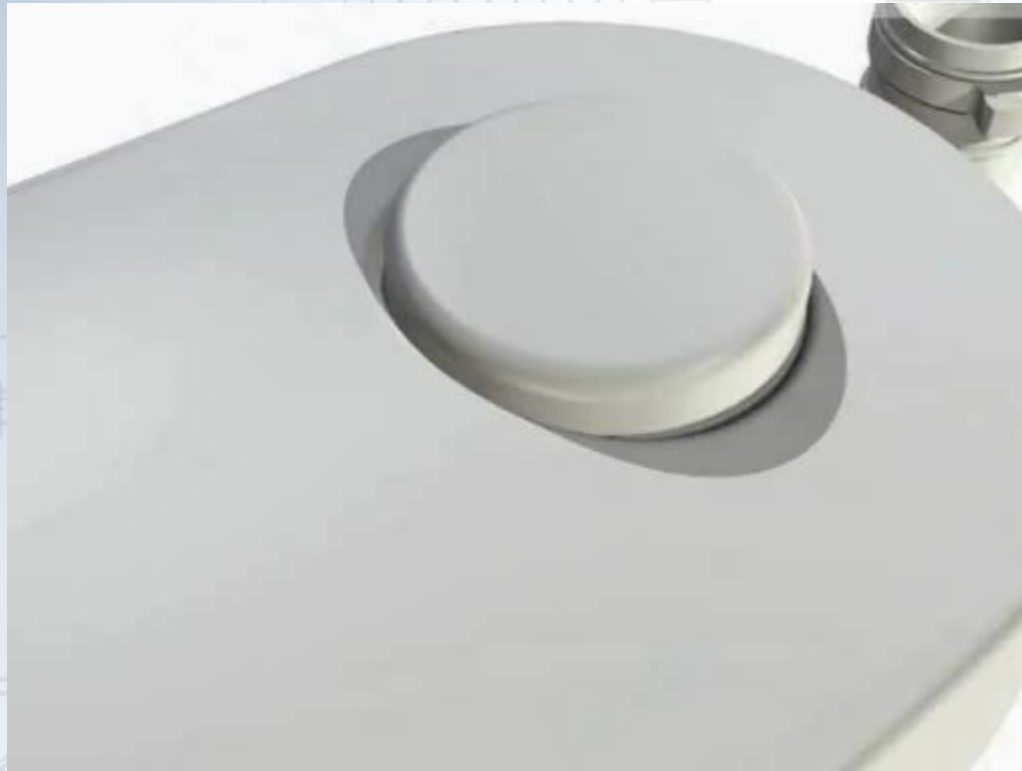
2. Small details that makes a difference

- No screws in the lid, mean easy access for inspection



3. Small details that makes a difference

- Large carbon filter - Gas and odour-proof



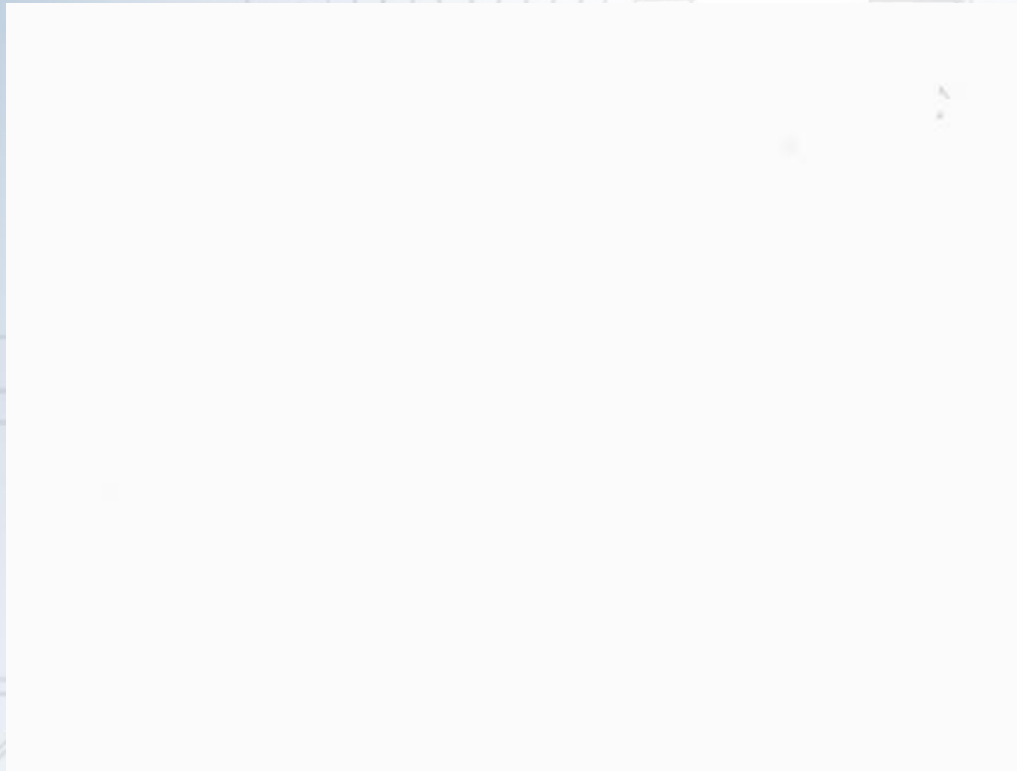
4. Small details that makes a difference

- Non return valve integrated into the box



5. Small details that makes a difference

- Low connection point for additional sources



6. Small details that makes a difference

- Efficient cutter system



7. Discharge pipe in the side not in the lid

- Reducers for discharge pipe – easy for replacement market – will fit $\varnothing 32$, $\varnothing 28$, $\varnothing 25$, $\varnothing 23$.
- Easy installation – plug and go product

